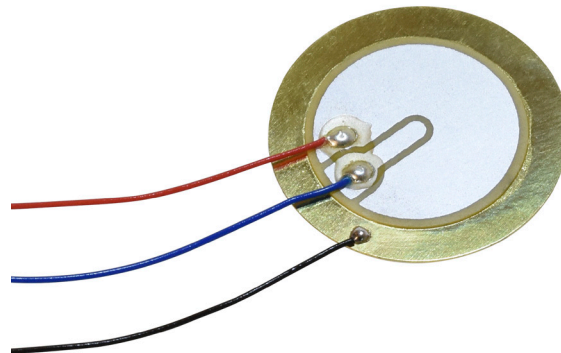


MODEL: CPT-2746-L100 | **DESCRIPTION:** PIEZOELECTRIC DIAPHRAGM

FEATURES

- 100 mm lead wire
- piezo element
- externally driven


SPECIFICATIONS

| parameter | conditions/description | min | typ | max | units |
|---------------------------|------------------------------|--------|--------|--------|--------------------|
| operating voltage | | | | 30 | Vp-p |
| resonant frequency | | 4,000 | 4,500 | 5,000 | Hz |
| resonant impedance | | | | 500 | Ω |
| electrostatic capacitance | at 120 Hz | 11,200 | 16,000 | 20,800 | pF |
| dimensions | $\varnothing 27 \times 0.51$ | | | | mm |
| weight | | | 2.5 | | g |
| material | brass | | | | |
| terminal | wire leads | | | | |
| operating temperature | | -20 | | 60 | $^{\circ}\text{C}$ |
| storage temperature | | -20 | | 70 | $^{\circ}\text{C}$ |
| RoHS | yes | | | | |

Notes: 1. All specifications measured at 25 \pm 3 $^{\circ}\text{C}$, humidity at 60-70%, under 86-106 kPa pressure, unless otherwise noted.

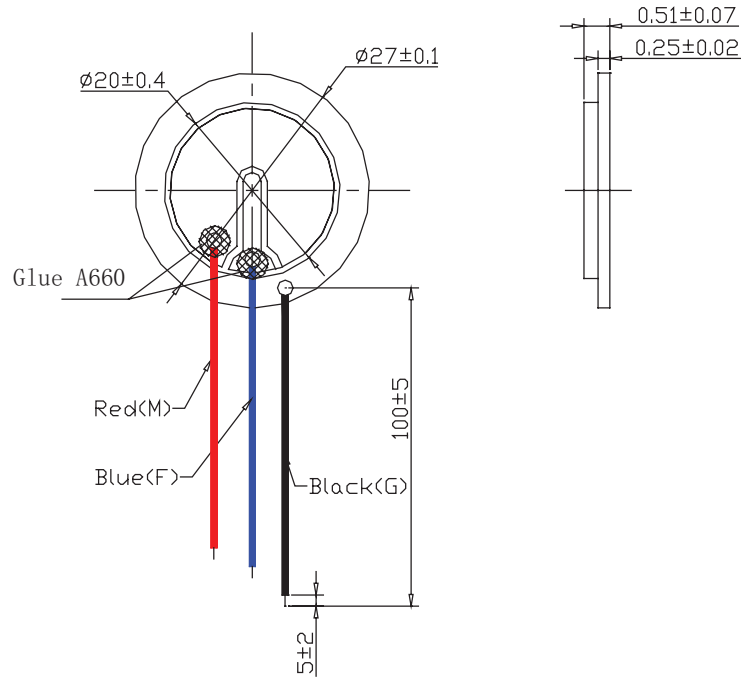
SOLDERABILITY

| parameter | conditions/description | min | typ | max | units |
|----------------|------------------------|-----|-----|-----|--------------------|
| hand soldering | for 3 seconds | 370 | 380 | 390 | $^{\circ}\text{C}$ |

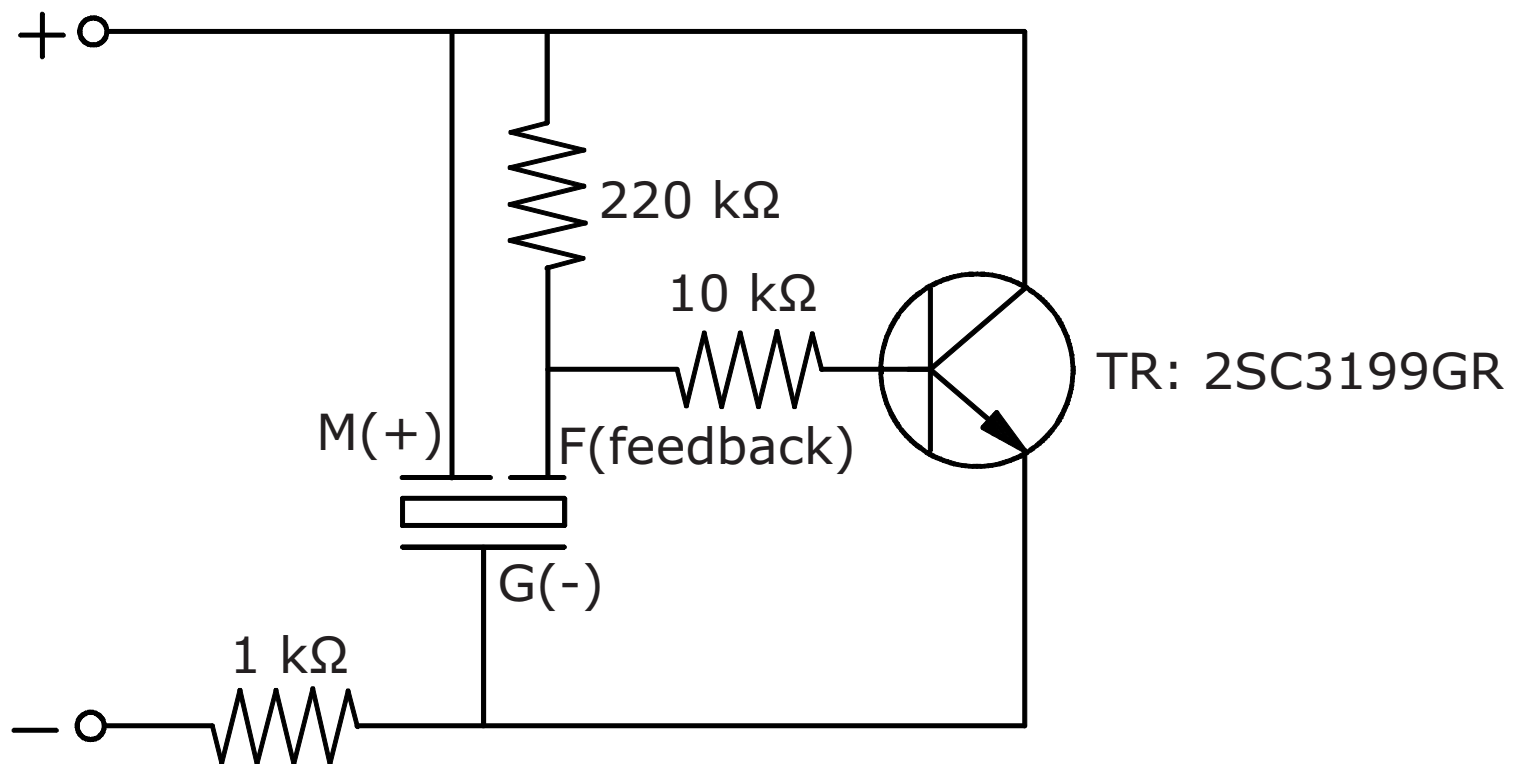
MECHANICAL DRAWING

units: mm
tolerance: ± 0.5 mm

wire: UL 1571 32 AWG



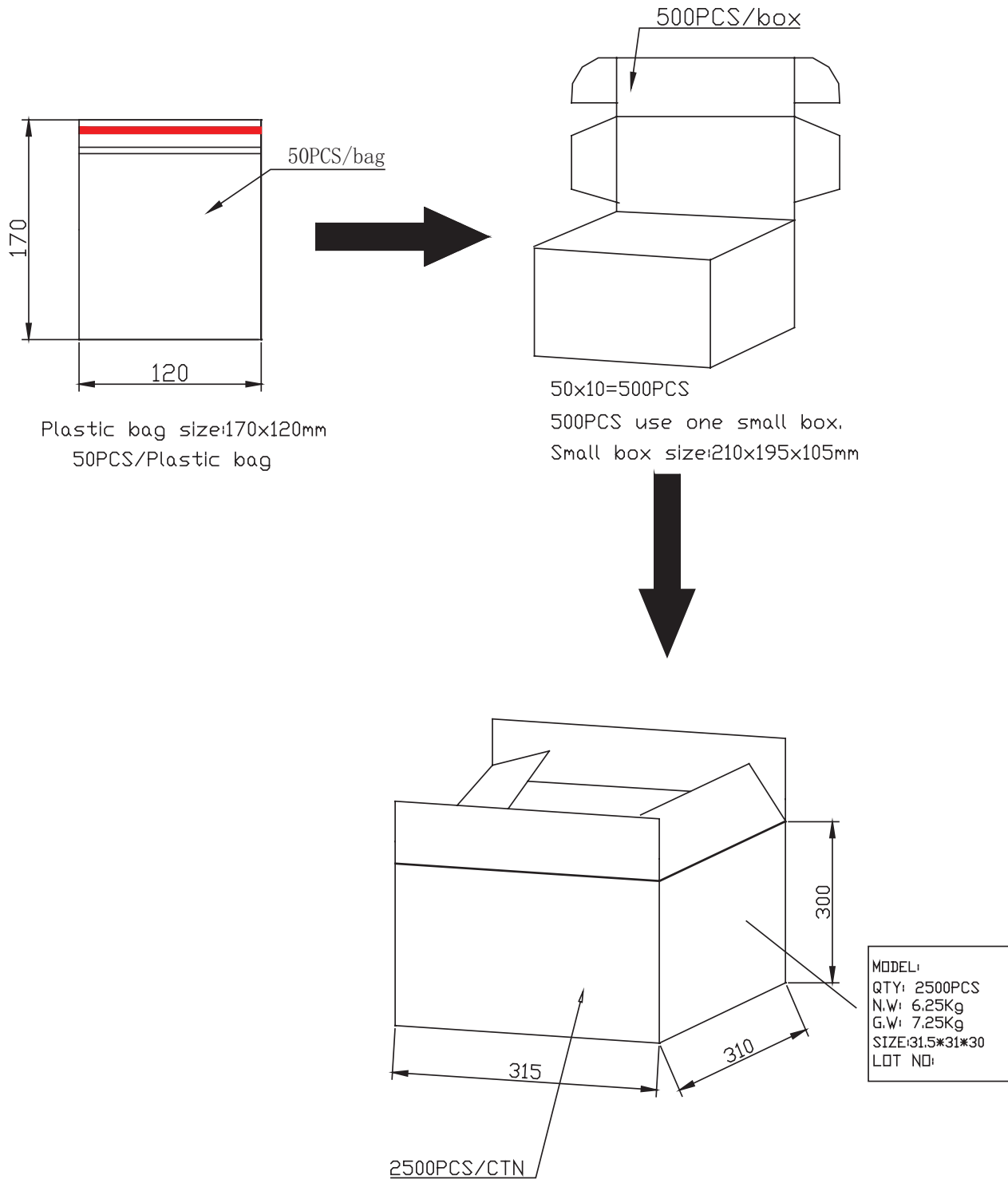
APPLICATION CIRCUIT



PACKAGING

units: mm

Carton Size: 315 x 310 x 300 mm
Carton QTY: 2,500 pcs per carton



REVISION HISTORY

| rev. | description | date |
|------|------------------------------|------------|
| 1.0 | initial release | 07/15/2019 |
| 1.01 | brand update | 01/03/2020 |
| 1.02 | logo, datasheet style update | 08/05/2022 |

The revision history provided is for informational purposes only and is believed to be accurate.



CUI Devices offers a one (1) year limited warranty. Complete warranty information is listed on our website.

CUI Devices reserves the right to make changes to the product at any time without notice. Information provided by CUI Devices is believed to be accurate and reliable. However, no responsibility is assumed by CUI Devices for its use, nor for any infringements of patents or other rights of third parties which may result from its use.

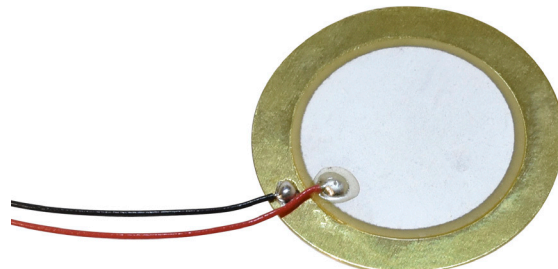
CUI Devices products are not authorized or warranted for use as critical components in equipment that requires an extremely high level of reliability. A critical component is any component of a life support device or system whose failure to perform can be reasonably expected to cause the failure of the life support device or system, or to affect its safety or effectiveness.

cuidevices.com

MODEL: CPT-2746-L100 | **DESCRIPTION:** PIEZOELECTRIC DIAPHRAGM

FEATURES

- 100 mm lead wire
- piezo element
- externally driven


SPECIFICATIONS

| parameter | conditions/description | min | typ | max | units |
|---------------------------|------------------------------|--------|--------|--------|--------------------|
| operating voltage | | | | 30 | Vp-p |
| resonant frequency | | 4,100 | 4,600 | 5,100 | Hz |
| resonant impedance | | | | 250 | Ω |
| electrostatic capacitance | at 120 Hz | 11,200 | 16,000 | 20,800 | pF |
| dimensions | $\varnothing 27 \times 0.53$ | | | | mm |
| weight | | | 2.5 | | g |
| material | brass | | | | |
| terminal | wire leads | | | | |
| operating temperature | | -20 | | 60 | $^{\circ}\text{C}$ |
| storage temperature | | -20 | | 70 | $^{\circ}\text{C}$ |
| RoHS | yes | | | | |

Notes: 1. All specifications measured at 25 \pm 3 $^{\circ}\text{C}$, humidity at 60-70%, under 86-106 kPa pressure, unless otherwise noted.

SOLDERABILITY

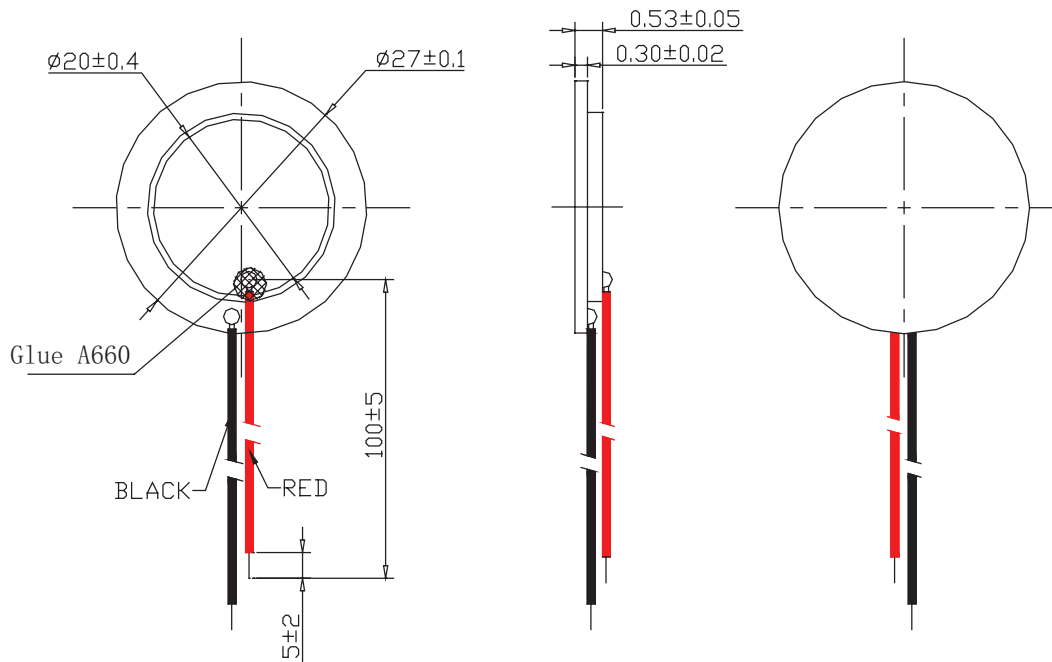
| parameter | conditions/description | min | typ | max | units |
|----------------|------------------------|-----|-----|-----|--------------------|
| hand soldering | for 3 seconds | 370 | 380 | 390 | $^{\circ}\text{C}$ |

MECHANICAL DRAWING

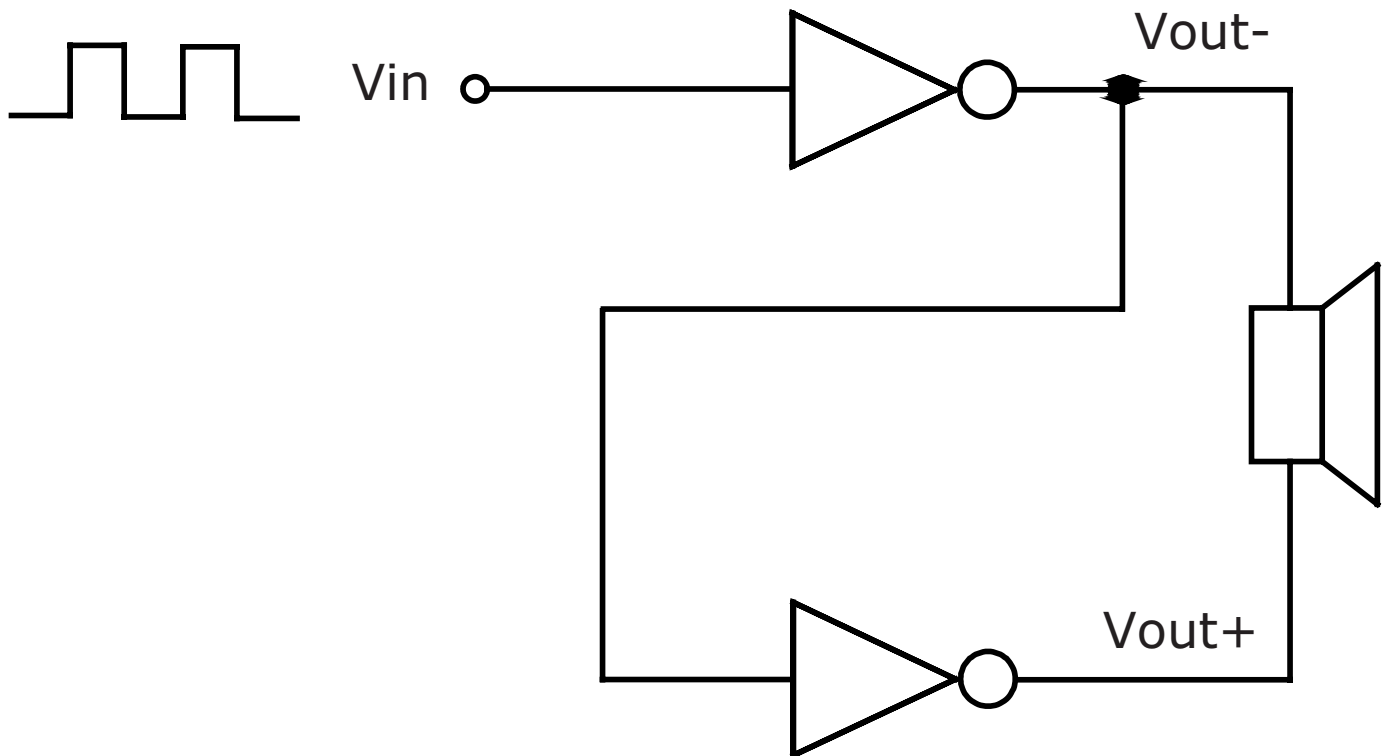
units: mm

tolerance: ± 0.5 mm

wire: UL 1571 32 AWG



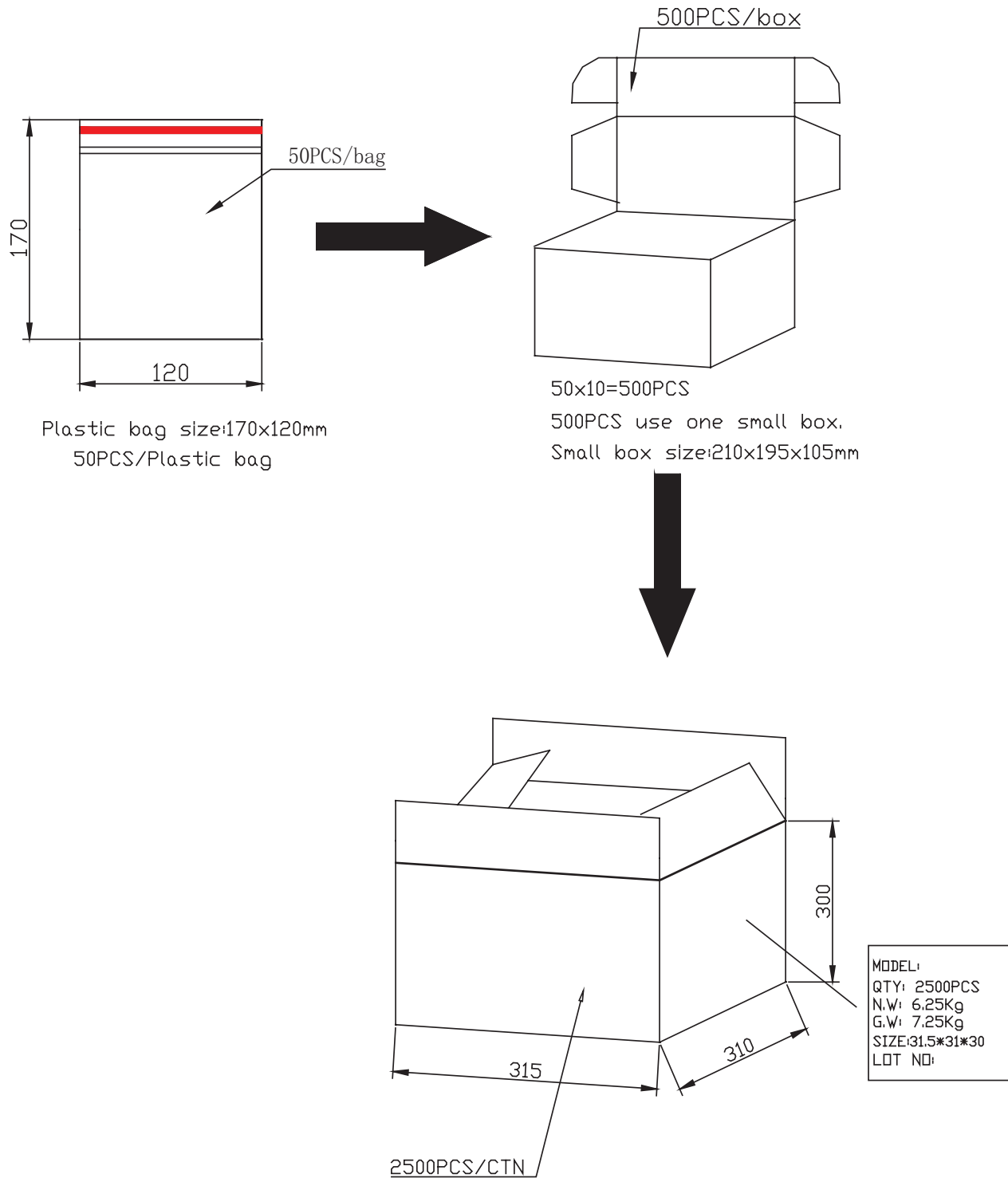
APPLICATION CIRCUIT



PACKAGING

units: mm

Carton Size: 315 x 310 x 300 mm
Carton QTY: 2,500 pcs per carton



REVISION HISTORY

| rev. | description | date |
|------|------------------------------|------------|
| 1.0 | initial release | 07/15/2019 |
| 1.01 | brand update | 01/03/2020 |
| 1.02 | logo, datasheet style update | 08/05/2022 |

The revision history provided is for informational purposes only and is believed to be accurate.



CUI Devices offers a one (1) year limited warranty. Complete warranty information is listed on our website.

CUI Devices reserves the right to make changes to the product at any time without notice. Information provided by CUI Devices is believed to be accurate and reliable. However, no responsibility is assumed by CUI Devices for its use, nor for any infringements of patents or other rights of third parties which may result from its use.

CUI Devices products are not authorized or warranted for use as critical components in equipment that requires an extremely high level of reliability. A critical component is any component of a life support device or system whose failure to perform can be reasonably expected to cause the failure of the life support device or system, or to affect its safety or effectiveness.

cuidevices.com